

RECESSED LUMINAIRES

# LED **CAPRICORN**

Tel: 01208 79524

Fax: 01208 72832

info@fitzlight.co.uk

**www.fitzlight.co.uk**

**Fitzgerald**<sup>FL</sup>  
Lighting your world

Fitzgerald Lighting (Cornwall) Limited, 38 Normandy Way, Bodmin, Cornwall PL31 1EX

# LED CAPRICORN

## RECESSED LUMINAIRES

**Fitzgerald**<sup>FL</sup>  
www.fitzlight.co.uk

IP20



**The Capricorn range of LED fittings provide an elegant solution to today's lighting scenarios.**

A micro-prismatic cover diffuses the light preventing bright spots whilst the curved reflector aids light distribution providing illumination on surrounding walls allowing for a uniform light spread.

Suitable for standard T-bar ceilings.



The Capricorn can be made without the FL brand mark

### Applications:

- Offices
- Shops
- Schools
- Commercial

### Product Specifications:

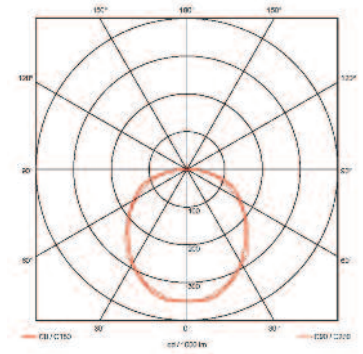
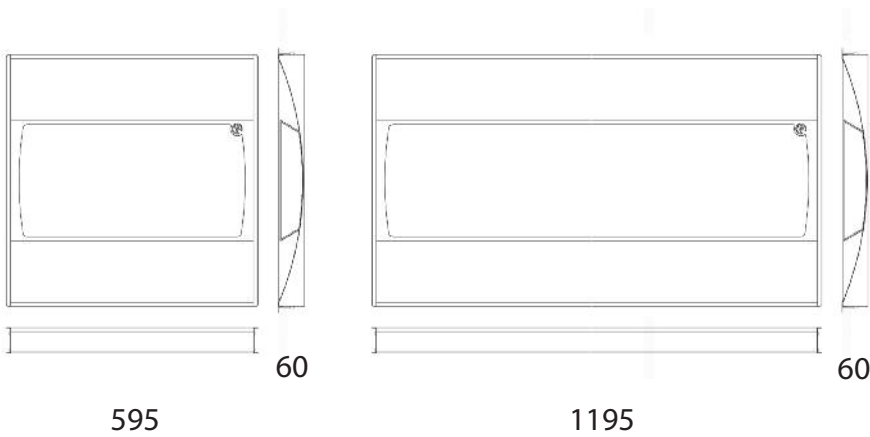
- Manufactured from mild steel with white paint finish as standard
- Constant output driver with colour 850 as standard
- Luminaire suitable for 15mm and 24mm exposed T grid system

### Optional Features:

**/OW:** Off white paint (RAL9010)

**/UB:** Unbranded (no FL logo)

# LED CAPRICORN RECESSED LUMINAIRE



**Polar Curve:**  
Photometric data is available  
online for dialux and relax.

**TYPICAL ENERGY SAVINGS**  
Compared performance  
over 50,000 hours

Order Codes						
LED Capricorn	Lumens	Watts	Body	Length	Width	Depth
CAP25/B/CO/850	2978	25	B	595	595	60
CAP35/B/CO/850	3970	35	B	595	595	60
CAP50/C/CO/850	5956	50	C	1195	595	60
CAP70/C/CO/850	7940	70	C	1195	595	60

**Test on CAP35/B/CO/850 gave a result of 2760 luminaire lumens which delivers 69% light output ratio.**

*Standard Technology*  
**4x18 watt T8 (CAT2)**  
96 Circuit Watts  
Luminaire Lumens 3400  
Lamp Maintenance  
12,000 Hours  
4800 K/Watts  
**Total energy cost**  
**@ 11p-kwh = £528.00**  
Plus 16 new lamps

**Gear Options:**  
**/AD:** 1-10V Analogue dimming  
**/DL:** Dali addressable dimming

**Emergency Options:**  
**/RM3:** 3hr maintained remote emergency  
**Colour Temperature Options:**  
**/830:** Colour 830  
**/840:** Colour 840

**Installation options:**  
**Exposed T** YES  
Plasterboard NO  
Metal Pan NO  
Surface NO  
Suspended NO

**LED Capricorn**  
CAP25/B/CO/850  
25 Circuit Watts  
Luminaire Lumens 2054  
Lamp Maintenance  
50,000 Hours  
1250 K/Watts  
**Total energy cost**  
**@ 11p-kwh = £137.50**  
**No Lamp Maintenance**

**LED Capricorn part code formula example:**

Product Family	Watts	Body Style	Gear Option	Colour Temp	Emergency Option
<b>CAP</b>	<b>50</b>	<b>C</b>	<b>DL</b>	<b>850</b>	<b>RM3</b>

**ENERGY SAVINGS**  
**74%**  
**TOTAL SAVINGS**  
**£390.50**

Occupancy and daylight sensor options available on this product