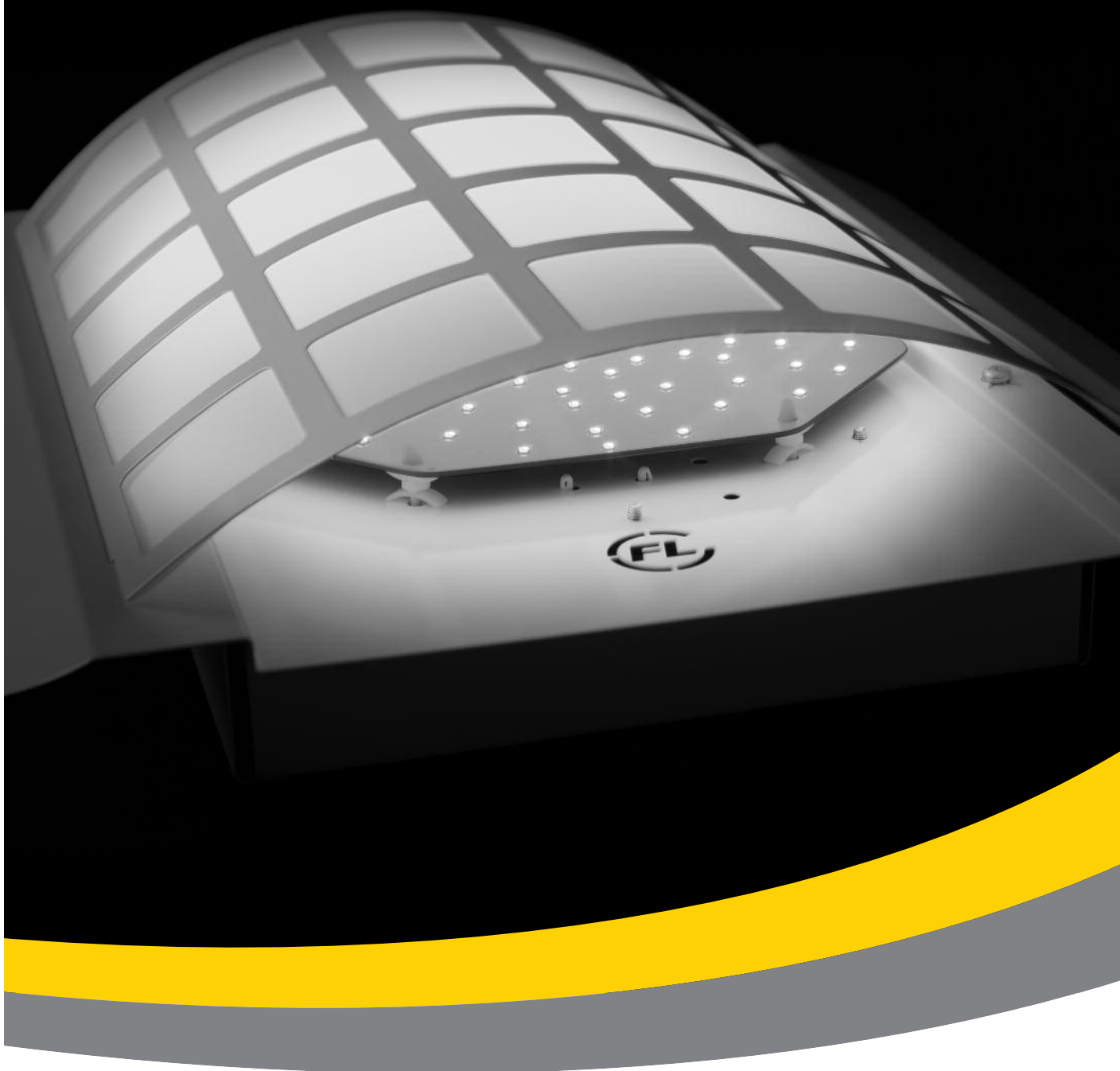


INDOOR AMENITY LUMINAIRES

LED CLAUSTRA



Tel: 01208 79524

Fax: 01208 72832

info@fitzlight.co.uk

www.fitzlight.co.uk

Fitzgerald^{FL}
Lighting your world

Fitzgerald Lighting (Cornwall) Limited, 38 Normandy Way, Bodmin, Cornwall PL31 1EX

LED CLAUSTRA

INDOOR AMENITY LUMINAIRE

Fitzgerald^{FL}
www.fitzlight.co.uk

IP20

Simple elegant and extremely effective. These luminaires can be supplied in a variety of colours.

Product Specification:

- Manufactured from mild steel with white paint finish as standard
- Constant output driver with colour 850 as standard
- Opal polycarbonate diffuser insert.
- Company logos can be laser cut to special order - contact our sales team for further information.

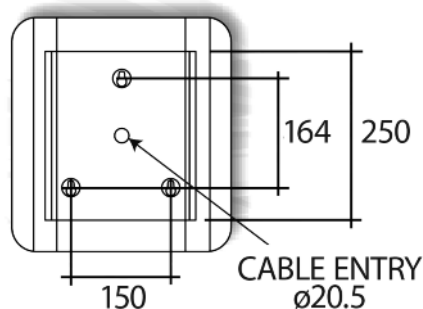
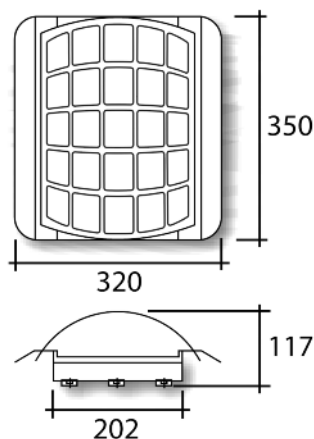
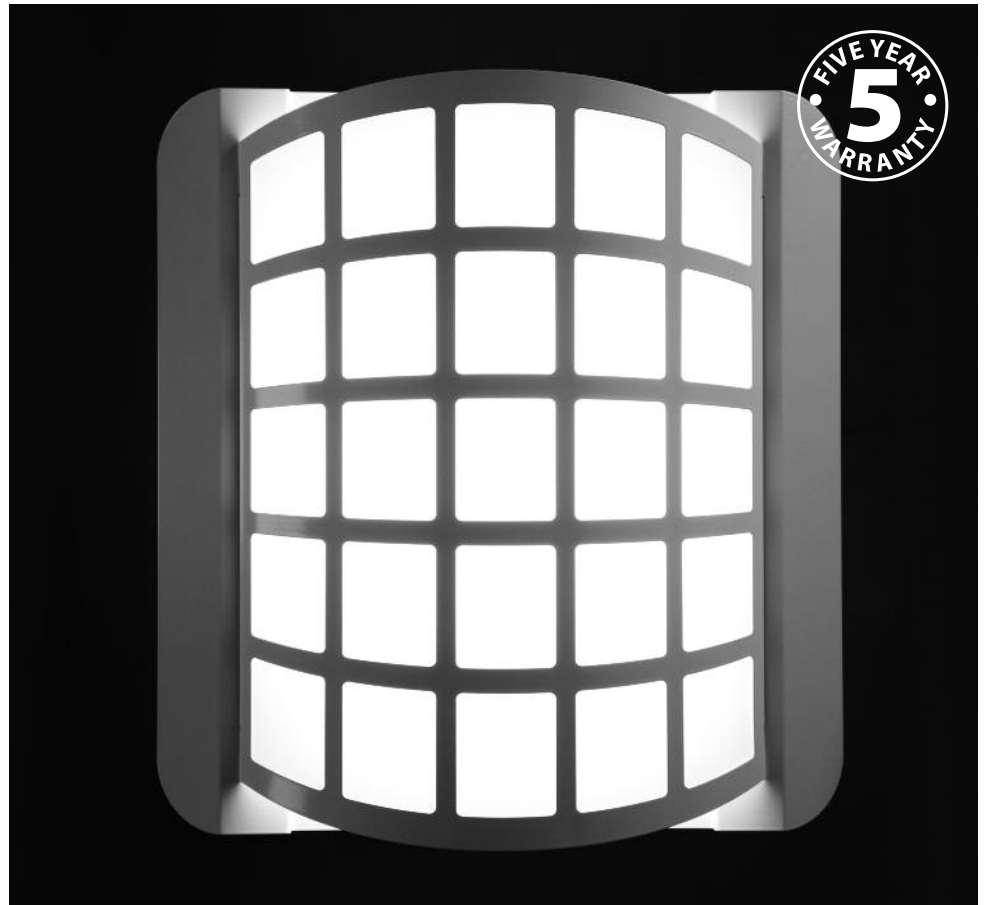
Applications:

- Nursing Homes
- Schools
- Offices
- Hospitals
- Corridors
- Receptions
- Hotel Rooms

Installation options:

Exposed T	NO
Plasterboard	NO
Metal Pan	NO
Surface	YES
Suspended	NO

Occupancy and daylight sensor options available on this product



Optional Features

/BK: Black paint finish.

/GY: Grey paint finish (RAL 9006).

/SI: Silver/Grey paint finish.

/OW: Off white paint (RAL9010)

Gear Options:

/AD: 1-10V Analogue dimming

/DL: Dali addressable dimming

Emergency Options:

/LS3: 3hr sustained emergency

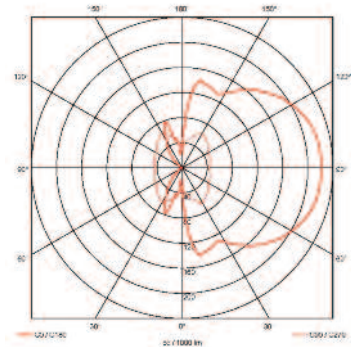
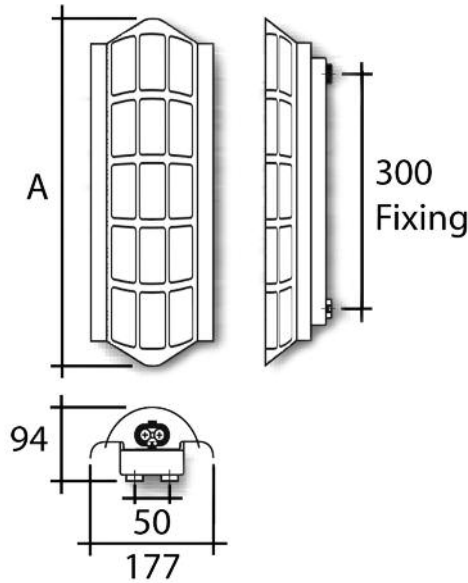
/M3: 3hr maintained emergency

Colour Temperature Options:

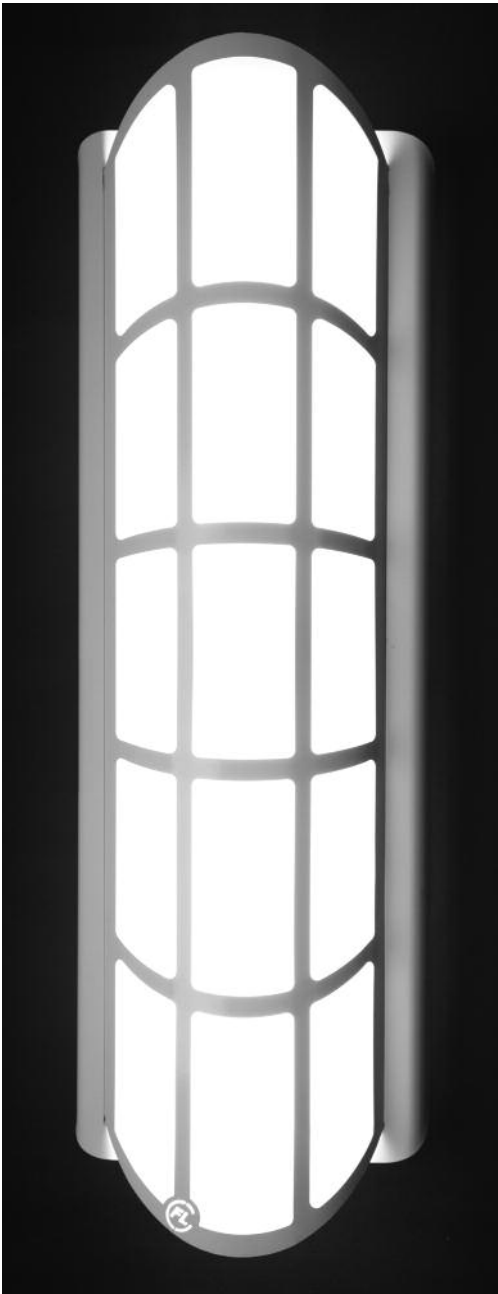
/830: Colour 830

/840: Colour 840

IP20



Polar Curve:
Photometric data is available
online for dialux and relux.



LED CLAUSTRA STRAIGHT

Order Codes

LED Claustra	Lumens	Watts	Width	Height	Inner Width
CLA12/CO/850	1340	12	320	350	202
CLA17/CO/850	1985	17	320	350	202
Claustra Straight					
CLAS11/CO/850	1361	11	117	635	50
CLAS22/CO/850	2722	22	117	630	50
CLAS33/CO/850	4083	33	117	630	50

LED Claustra part code formula example:

Product Family	Watts	Gear Option	Optional Feature	Colour Temp	Emergency Option
CLA	17	AD	BK	850	LS3

TYPICAL ENERGY SAVINGS Compared performance over 50,000 hours

Standard Technology

28 watt 2D

36 Circuit Watts

Lamp Lumens 2050

Lamp Maintenance

12,000 Hours

1800 K/Watts

Total energy cost

@ 11p-kwh = £198.00

Plus 4 new lamps

LED Claustra

CLA17/CO/850

17 Circuit Watts

Panel Lumens 1985

Lamp Maintenance,

50,000 Hours

850 K/Watts

Total energy cost

@ 11p-kwh = £93.50

No Lamp Maintenance

ENERGY
SAVINGS

53%

TOTAL SAVINGS

£104.50