

INDOOR AMENITY LUMINAIRES

LED SATURN



Tel: 01208 79524

Fax: 01208 72832

info@fitzlight.co.uk

www.fitzlight.co.uk

Fitzgerald^{FL}
Lighting your world

Fitzgerald Lighting (Cornwall) Limited, 38 Normandy Way, Bodmin, Cornwall PL31 1EX

LED SATURN

INDOOR AMENITY LUMINAIRE

Fitzgerald^{FL}
www.fitzlight.co.uk

IP20

The Saturn provides an attractive range of wall mounted luminaires that has been designed to create a subtle two way lighting effect.

Product Specifications:

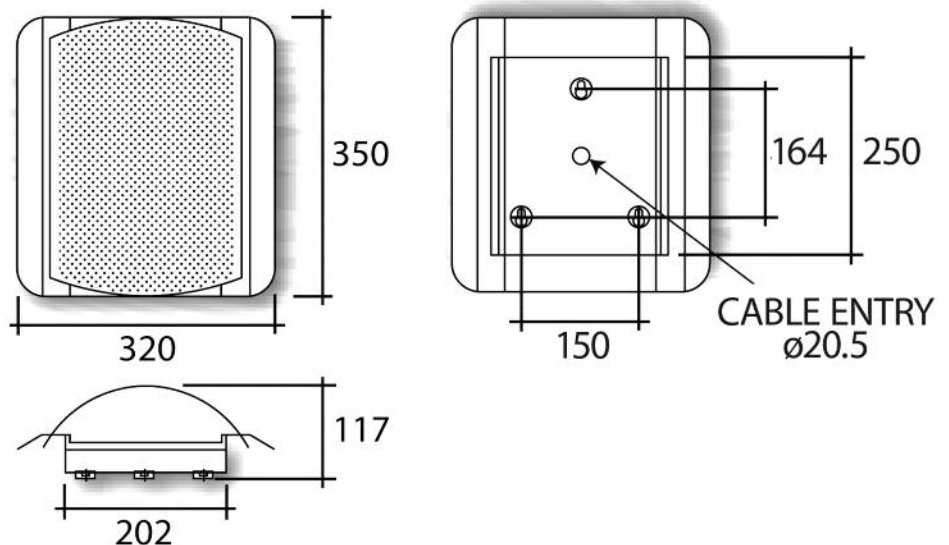
- Manufactured from mild steel with white paint finish as standard
- Constant output driver with colour 850 as standard
- Opal polycarbonate diffuser insert

Applications:

- Nursing Homes
- Schools
- Offices
- Hospitals
- Corridors
- Receptions
- Hotel Rooms

Installation options:

Exposed T	NO
Plasterboard	NO
Metal Pan	NO
Surface	YES
Suspended	NO



Gear Options:

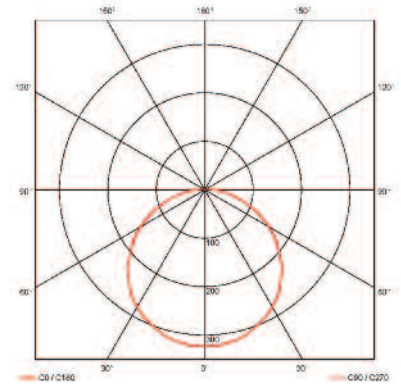
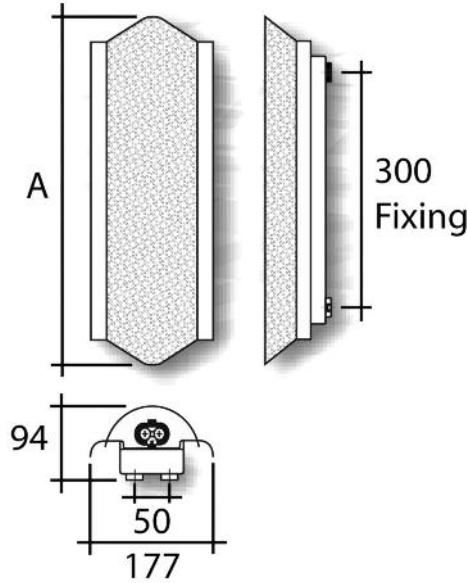
- /AD:** 1-10V Analogue dimming
- /DL:** Dali addressable dimming

Optional Features:

- /GY:** Grey (RAL9006)
- /OW:** Off white (RAL9010)
- Colour Temp Options:**
- /830:** Colour 830
- /840:** Colour 840

Emergency Options:

- /LS3:** 3hr sustained emergency
- /M3:** 3hr maintained emergency



Polar Curve:
Photometric data is available
online for dialux and relux.

Order Codes

LED Saturn	Lumens	Watts	Length	Width	Inner Width
ST12/CO/850	1340	12	117	320	210
ST17/CO/850	1985	17	117	320	210
Saturn Straight					
STS11/CO/850	1361	11	635	177	50
STS22/CO/850	2722	22	635	177	50
STS33/CO/850	4083	33	635	177	50

LED Saturn part code formula example:

Product Family	Watts	Gear Option	Optional Feature	Colour Temp	Emergency Option
ST	12	CO	GY	850	LS3

LED SATURN STRAIGHT

TYPICAL ENERGY SAVINGS Compared performance over 50,000 hours

Standard Technology

1x36 watt TC-L
43 Circuit Watts
Lamp Lumens 2600
Lamp Maintenance
12,000 Hours
2150 K/Watts

Total energy cost
@ 11p-kwh = £237
Plus 4 new lamps

LED Saturn

12 Circuit Watts
ST12/CO/850
Panel Lumens 1340
Lamp Maintenance,
50,000 Hours
850 K/Watts

Total energy cost
@ 11p-kwh = £94.00
No Lamp Maintenance



TOTAL SAVINGS
£143.00