

INDUSTRIAL LUMINAIRE

LED URBAN RANGE



Tel: 01208 79524

Fax: 01208 72832

info@fitzlight.co.uk

www.fitzlight.co.uk

Fitzgerald^{FL}
Lighting your world

Fitzgerald Lighting (Cornwall) Limited, 38 Normandy Way, Bodmin, Cornwall PL31 1EX

LED URBAN FLAT

INDUSTRIAL LUMINAIRE

Fitzgerald^{FL}
www.fitzlight.co.uk

IP65

The Urban range of LED IP65 luminaires provides efficient operation with strength and rugged features.

Designed for the urban environment, these products are available in three shapes, Flat, Quad and Round.

The Quad and Flat have heavy gauge seam welded bodies and impact resistant prismatic polycarbonate diffuser, ideal in the toughest of locations.

The Urban Round has a die cast aluminium base with impact resistant prismatic polycarbonate diffuser.



Applications:

- Police Cells
- Police Stations
- Prisons
- Railway Stations
- Airports
- Subways
- Walkways

Product Specifications:

- Ingress Protection to IP65
- Polycarbonate injection moulded prismatic diffusers
- Seam welded steel bodies on the Flat and Quad bodies
- Urban Round has a die cast aluminium body
- Manufactured from mild steel with white primed, painted and lacquered finish as standard
- Constant output driver with colour 850 as standard
- Allen key entry

Gear Options:

- /AD: 1-10V Analogue dimming
- /DL: Dali addressable dimming

Optional Features:

- /PEC: Dusk to dawn sensing photo electric cell
- /BK: Black paint finish
- /GY: Grey paint finish (RAL 9006)
- /SI: Silver/Grey paint finish
- /LG: Light grey (RAL7035)

Colour Temp Options:

- /830: Colour 830
- /840: Colour 840

Emergency Options:

- /LS3: 3hr sustained emergency
- /M3: 3hr maintained emergency

Installation options:

Exposed T	NO
Plasterboard	NO
Metal Pan	NO
Surface	YES
Suspended	NO

Occupancy and daylight sensor options available on this product

LED URBAN FLAT

INDUSTRIAL LUMINAIRE

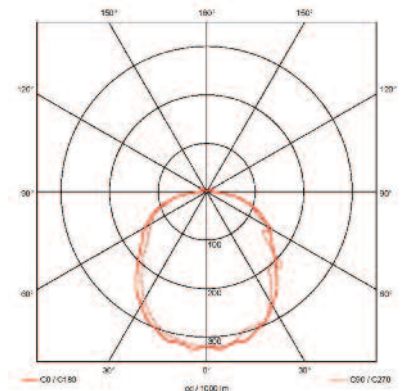
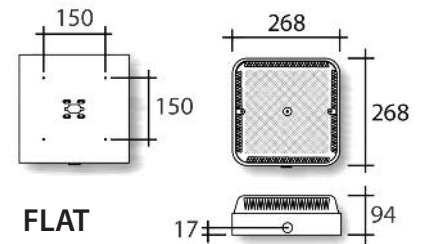
Fitzgerald^{FL}
www.fitzlight.co.uk

IP65

Order Codes

Urban Flat	Lumens	Watts	Length	Width	Depth
URF8/CO/850	993	8	268	268	94
URF12/CO/850	1340	12	268	268	94
URF17/CO/850	1985	17	268	268	94
URF20/CO/850	2792	20	268	268	94
URF30/CO/850	3598	30	268	268	94
URF40/CO/850	4466	40	268	268	94

Test on URF17/CO/850 gave a result of 1418 luminaire lumens which delivers 71.4% light output ratio.



Polar Curve:

Photometric data is available online for dialux and relax.

LED Urban part code formula example:

Product Family	Watts	Gear Option	Optional Feature	Colour Temp	Emergency Option
URF	30	DL	SI	850	M3

TYPICAL ENERGY SAVINGS Compared performance over 50,000 hours

Standard Technology

1 x 38 watt 2D
50 Circuit Watts
Lamp Lumens 2850
Lamp Maintenance
12,000 Hours
2500 K/Watts
Total energy cost
@ 11p-kwh = **£275.00**
Plus 4 new lamps

LED Urban

URF17/CO/850
17 Circuit Watts
Panel Lumens 2300
Lamp Maintenance,
50,000 Hours
850 K/Watts
Total energy cost
@ 11p-kwh = **£94.00**
No Lamp Maintenance



TOTAL SAVINGS
£181.00

Additional savings with a sensor assuming 20% occupancy in an outdoor walkway, luminaire running at 10% light level when area is unoccupied.

LED Urban

17 circuit Watt on full
and 2 Watts on dim
Lamp maintenance,
50,000 hours
250 K/Watts
Energy cost
@ 11p - kwh = **£27.50**
No lamp maintenance



TOTAL SAVINGS
£247.50

LED URBAN QUAD & ROUND

INDUSTRIAL LUMINAIRES

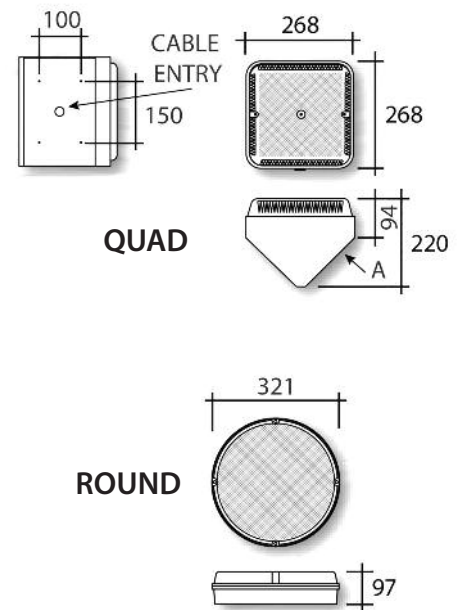


Order Codes

Urban Quad	Lumens	Watts	Length	Width	Depth
URQ8/CO/850	993	8	268	268	220
URQ12/CO/850	1340	12	268	268	220
URQ17/CO/850	1985	17	268	268	220
URQ20/CO/850	2792	20	268	268	220
URQ30/CO/850	3598	30	268	268	220
URQ40/CO/850	4466	40	268	268	220

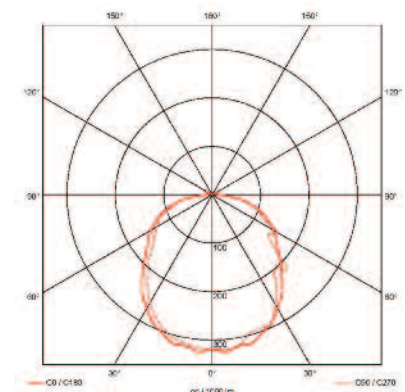
Urban Round	Lumens	Watts	Diameter	Depth
URR8/CO/850	993	8	321	97
URR12/CO/850	1340	12	321	97
URR17/CO/850	1985	17	321	97
URR20/CO/850	2792	20	321	97
URR30/CO/850	3598	30	321	97
URR40/CO/850	4466	40	321	97

Test on URF17/CO/850 gave a result of 1418 luminaire lumens which delivers 71.4% light output ratio.



QUAD

ROUND



Urban Round Polar Curve:

Photometric data is available online for dialux and relux.

LED Urban part code formula example:

Product Family	Watts	Gear Option	Optional Feature	Colour Temp	Emergency Option
URQ	17	AD	SI	850	M3

Occupancy and daylight sensor options available on this product